

# UFM-T 05 standard / superplus

## UFM-T 1/10/20

## UFM-T 100/20HP



The zero-loss condensate drain

### Product description:

The UFM-T's are compressed air zero-loss, electronically controlled condensate drains.

The diaphragm operation and the large internal cross-sections for draining ensure reliable operation even when dealing with dirty, particle polluted condensate:

Less downtime, less trouble and more safety for the application.

Additionally the condensate becomes less emulsified – when compared with time controlled solenoid valves which spray/atomise the condensate. Less emulsification results in better function of oil/ water separators: longer compliance with legal discharge limits, less running costs! As there is no air-loss whilst purging these drains work silent – a very important feature when this drain is installed within a working area: No noise nuisance anymore!

The electronic control of the drain monitors the proper operation continuously.

Automatic malfunction routines and a potential free alarm contact for remote control ensures safe operation at all times. You can react to malfunctions before they are obvious by water in the condensate line at the point of use!

### Applications:

Compressed air zero-loss draining of condensate at:

- compressors
- aftercoolers
- receiver-vessels
- pre- and after-filters of fridge dryers
- pre-filters of adsorption dryers
- condensate- and oil-removal filters
- pipe bends

| Features:   | Benefits:   |
|---|---|
| Zero-loss   | No expensive air-losses, silent operation, less emulsification of the condensate  |
| Aluminium parts coated, diaphragm and O-rings from VITON                                | Suitable for the aggressive condensate of oil-free compressors.   |
| UFM-T05/T1/T10 and T20: Voltage range from 24 to 230 V                                  | Universal use world-wide  |
| Info channel  | Serial interface for the connection of the Programmer; Individual setting of control parameters (applies to UFM-T1, 10, 20, 100, 20HP and UFM-T05 superplus)                          |
| Connection power supply/ alarm contact  | Via plugs according to DIN 43650, design C; Housing does not have to be opened; More simply for service and installation (applies to UFM-T1, 10, 20, 100, 20HP and UFM-T05 superplus) |
| Electronic control  | Automatic malfunction routines, continuous control of operation, potential-free alarm contact for remote control  |
| Sloped display  | Easy reading of function LED and easy use of the manual purge button even if the drain is installed above eye-level   |
| Sensors without moving parts  | Safe function without sticking or blocking of the drain   |
| Condensate inlet from the top   | Quick and easy installation under filter housings   |
| Alternative condensate inlet on ground level  | Quick and easy installation under low ground clearance conditions   |
| Condensate inlet vertically and horizontally by a turnable elbow adapter (UFM-T05 only) | Quick and easy installation to different pipings (UFM-T05 only)   |

| Materials:             |                                 |
|------------------------|---------------------------------|
| Top (thread) (not T05) | Aluminium, coated               |
| Parts under pressure   | glass fibre re-inforced plastic |
| Diaphragm and O-rings  | VITON                           |

| Temperature range: |                |
|--------------------|----------------|
| Without heater     | +1°C to +60°C  |
| With heater        | -20°C to +60°C |

| Option:    |                    |
|------------|--------------------|
| Heater     | 24 V; 110 V; 230 V |
| Programmer | superplus          |

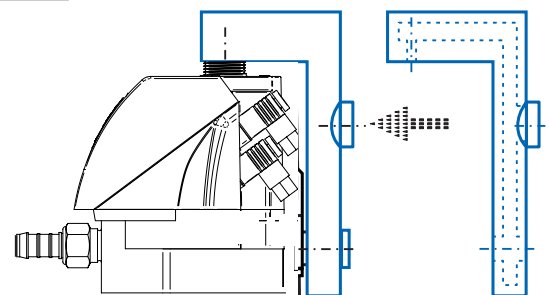
| Service parts:                                 |
|--|
| Set: O-rings, diaphragm, springs, anchor plate |

| Type           | Power supply   | Alarm contact   | Protection | Power consumption |             |
|----------------|--|---|------------|-------------------|-------------|
|                |  |   |            | without heater    | with heater |
| T05            | 24 - 230 V <sub>DC</sub><br>90 - 230 V <sub>AC</sub> | T05 SP<br>230 V <sub>AC/DC</sub><br>0,092 A           | IP 65      | 7 W               | */*         |
| T1             |  |   |            |                   |             |
| T10            |  |   |            | 5 W               | 25 W        |
| T20            |  |   |            |                   |             |
| T100<br>T20 HP | 24 V <sub>DC</sub><br>110 - 230 V <sub>AC</sub>      | 300 V <sub>DC</sub><br>247 V <sub>AC</sub><br>0,092 A |            |                   | */*         |

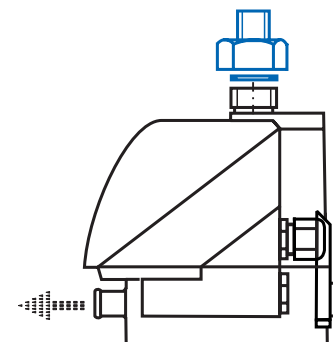
| Type   | Pressure range (bar) | Capacities <sup>1)</sup> (Nm <sup>3</sup> / min) |               |        |      |
|--------|----------------------|--|---------------|--------|------|
|        |                      | Compressor                                       | Fridge Dryers | Filter |      |
| T05    | 0.8-17.2             | 5  | 30 kW         | 10     | 50   |
| T1     |                      | 10   | 60 kW         | 20     | 100  |
| T10    |                      | 20   | 120 kW        | 40     | 200  |
| T20    |                      | 100  | 600 kW        | 200    | 1000 |
| T100   |                      | 20   | 120 kW        | 40     | 200  |
| T20 HP | 1.2-40               |  |               |        |      |

### Options:

Adapter with integrated vent for UFM-T10,T20.



Adapter to 1/2" (T100: 3/4")  
BSP or NPT for installation under filter housings;  
bolt connection with coupling ring.

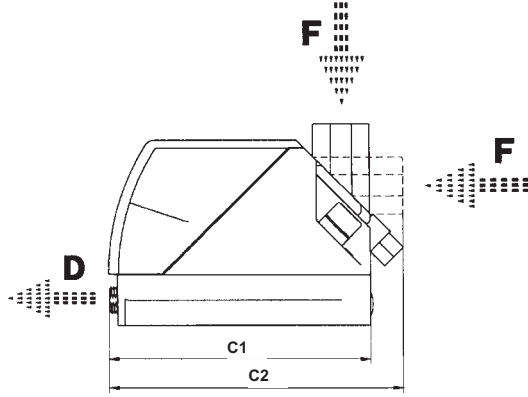
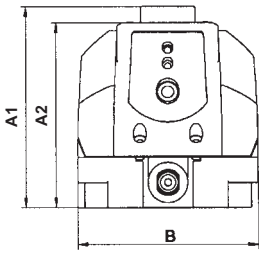


\* Nominal capacities are related to moderate climate for example: inlet conditions : 1 bar a, 20°C, 70% r.F. / 7 bar ü, 35°C, 100% r.F.

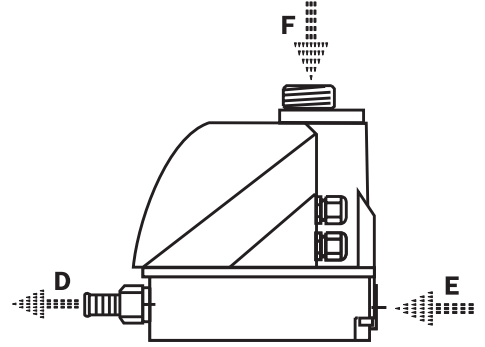
# Dimensions



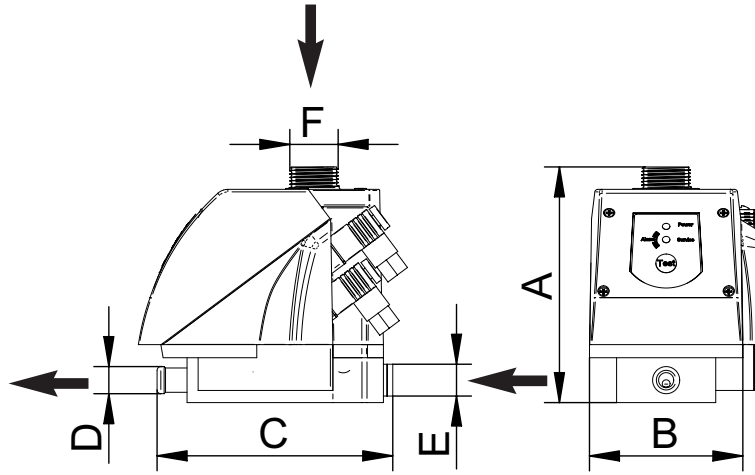
TAHAS Tazyikli Hava Sanayi ve Ticaret A.S.  
 I. Karaoglanoglu Cad. No: 25/4  
 34418 Seyrantepe, Istanbul Turkey  
 Tel: +90 212 284 93 33 Fax: +90 212 282 64 93  
 Web Site: [www.tahas.com](http://www.tahas.com) E-Mail: [info@tahas.com](mailto:info@tahas.com)



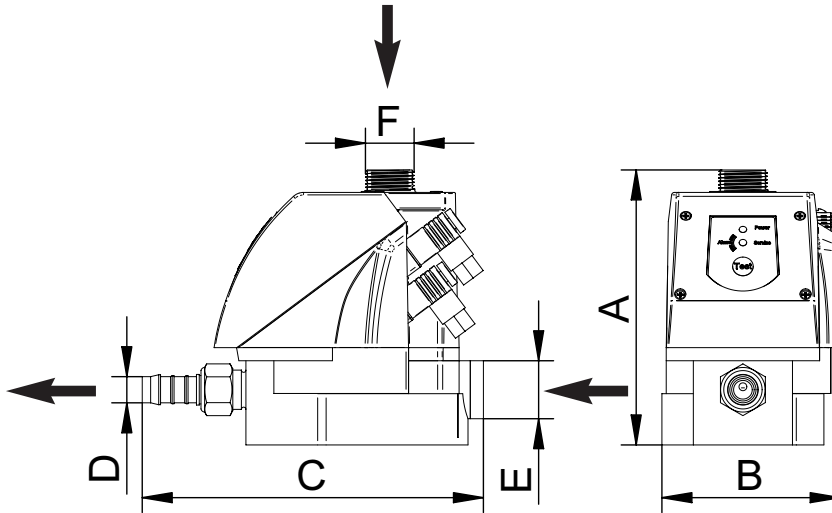
**T 05**



**T 100 / T 20HP**



**T 1**



**T 10 / T 20**

| Type    | Weight (kg) | A/A1/A2 mm | B mm | C1/C2 mm  | øD mm | E mm  | F mm  |
|---------|-------------|------------|------|-----------|-------|-------|-------|
| T 05    | 0.7         | 100/92     | 90   | 130 / 145 | 13    | */*   | G 1/2 |
| T 1     | 0.9         | 126        | 88   | 124       |       |       | G 1/2 |
| T 10    | 1.0         | 133        |      | 144       |       |       |       |
| T 20    | 1.2         | 147        |      | 175       | 14    | G 3/4 | G 1   |
| T 100   | 3.7         | 203        | 150  | 240       |       |       |       |
| T 20 HP | 3.3         | 191        | 114  | 245       |       |       |       |