

DEVILBISS

SB-E-2-360-J



OPERATION MANUAL
GTi —Gravity Spraygun



E	P 1 - 8
---	---------



DEVILBISS



Operation Manual

GTi – Gravity Spraygun

Important

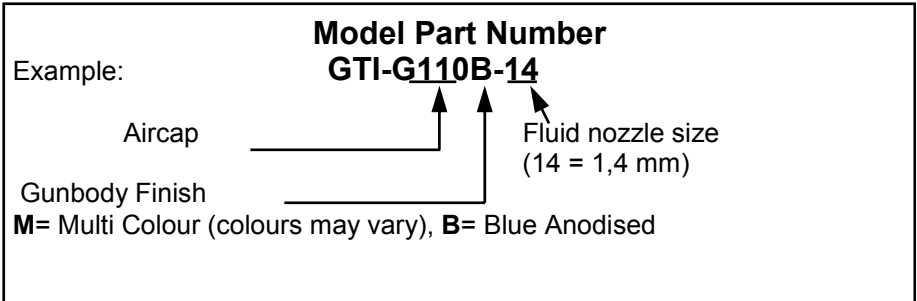


Read and follow all instructions and Safety Precautions before using this equipment

Description

This product is suitable for use with both waterbased and solvent based coating materials. The design uses EPA compliant atomising technology to reduce overspray and improve coating efficiency.

Important: *These guns are not designed for use with highly corrosive and/or abrasive materials and if used with such materials it must be expected that the need for cleaning and/or replacement of parts will be increased. If there is any doubt regarding the suitability of a specific material contact your local Distributor or ITW Finishing direct.*



Declaration of Conformity

We, ITW Finishing UK, Ringwood Road Bournemouth Dorset England declare under our sole responsibility that this product is in conformity with BS EN 292: parts 1 and 2 :1991 and BS EN 1953:1999, following the provisions of the Machinery Directive 89/392/EEC. This product also complies with the requirements of the EPA guidelines, PG6/34. Transfer efficiency certificates are available on request.

B. Holt, General Manager



SAFETY WARNINGS

E



Fire and explosion

Solvents and coating materials can be highly flammable or combustible when sprayed. **ALWAYS refer to the coating material suppliers instructions and COSHH sheets before using this equipment**



Users must comply with all local and national codes of practice and insurance company requirements governing ventilation, fire precautions, operation and house-keeping of working areas



This equipment, as supplied, is **NOT** suitable for use with Halogenated Hydrocarbons.

Static Electricity can be generated by fluid and/or air passing through hoses. To prevent such a risk, earth continuity to the spray equipment and the object being sprayed should be maintained.

Personal Protective Equipment



*Toxic vapours – When sprayed, certain materials may be poisonous, create irritation or be otherwise harmful to health. Always read all labels and safety data sheets for the material before spraying and follow any recommendations. **If In Doubt, Contact Your Material Supplier***



The use of respiratory protective equipment is recommended at all times. The type of equipment must be compatible with the material being sprayed

Always wear eye protection when spraying or cleaning the spraygun

Gloves must be worn when spraying or cleaning the equipment



Training – Personnel should be given adequate training in the safe use of spraying equipment.

Misuse

Never aim a spraygun at any part of the body

Never exceed the max. recommended safe working pressure for the equipment

The fitting of non-recommended or non-original spares may create hazards

Before cleaning or maintenance, all pressure must be isolated and relieved from the equipment

The product should be cleaned using a gun washing machine. However, this equipment should not be left inside gun washing machines for prolonged periods of time.

Noise Levels

The A-weighted sound level of sprayguns may exceed 85 dB (A) depending on the set-up being used. Details of actual noise levels are available on request. It is recommended that ear protection is worn at all times when spraying



Parts List

Ref. No	Description	Part Number	Qty
1	Air Cap/Retaining ring	GTI-407-	1
1a	Spring Clip	JGA-156-K5	1
+**2	Nozzle (up to 1.5 mm)	GTI-213-**-K	1
	Nozzle (1.6 mm to 2.2 mm)	GTI-214-**-K	1
3	Baffle & Seal	GTI-425-K	1
	Baffle Seal - Kit of 5	GTI-33-K5	1
+4	Packing	GTI-439-K2	1
5	Spreader Valve	GTI-404-K	1
6	Stud and Screw	GTI-408-K5	1
+7	Needle (for GTI-214 Tip)	GTI-420-K	1
	Needle (for GTI-213 Tip)	GTI-413-K	1
+8	Spring and Pad	GTI-409-K5	1
9	Bushing	GTI-402-K	1
9a	Seal kit of 5	JGS-72-K5	1
10	Needle Adjusting Screw	GTI-414-K	1
11	Valve Assembly	JGK-449	1
12	Trigger	GTI-108	1
13	Connector	JGA-158	1
14	Gun Hook	GFG-6	1
15	Airflow Valve	GTI-415-K	1
16	1/2 Ltr Gravity Cup Kit	GFC-501	1
17	Cup Lid	GFC-402	1
18	Drip Check Lid kit of 5	GFC-2-K5	1
19	Filter	KGP-5	1
20	Circlip	25746-007-K5	1
21	Circlip	SST-8434-K5	2
22	Seal & Pin Kit (+ SST-8434-K5)	GTI-428-K5	2
23	Washer	GFC-17-K5	1
24	Air valve stem assembly	JGS-431-1	1
25	Spring	JGV-262-K5	1

* - * Denotes Aircap Number - Available Aircaps No's 105 and 110

** - ** Denotes Fluid Tip Size—Available Sizes;
 GTI-213 0.85, 1.0, 1.1, 1.2, 1.3,1.4,1.5 mm
 GTI-214 1.6, 1.8, 2.0 and 2.2 mm

+ - Parts included in service Kit (see accessories)

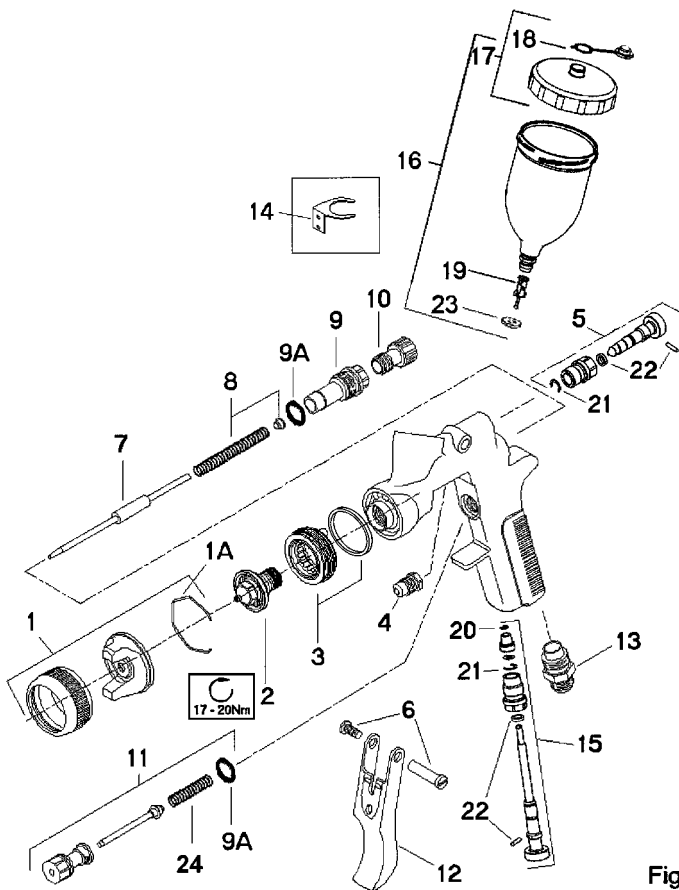


Fig 1

Specification

Air supply connection -	Universal 1/4 BSP and NPS
Maximum static inlet pressure -	P ₁ = 9 bar (130 psi)
Nominal gun inlet pressure with gun triggered -	2 bar (29 psi)
Gun Weight -	580 g

Materials of Construction

Gun body	-	Anodised Aluminium
Nozzle	-	Stainless steel
Needle	-	Stainless Steel
Cup	-	Acetal and Stainless Steel

E

Installation

Important: *To ensure that this equipment reaches you in first class condition, protective coatings have been use. **Flush the equipment through with a suitable solvent before use.***

1. Attach air hose to connector (13). Recommended hose size 8 mm bore.
2. Air supply should be filtered and regulated.

Operation

1. Mix coating material to manufacturers instructions
2. Turn needle adjusting screw (10) counter-clockwise until first thread shows
3. Turn pattern valve (5) counter-clockwise to fully open
4. Adjust inlet air pressure to give 2 bar (29psi) at the gun inlet with the gun triggered. (*pressure gauge attachment shown under Accessories is recommended for this*)
5. Test spray. If the finish is too dry reduce airflow by reducing inlet pressure. If finish is too wet reduce fluid flow by turning needle screw (10) clockwise. If atomisation is too coarse, increase inlet air pressure. If too
6. fine reduce inlet pressure.
6. The pattern size can be reduced by adjusting valve (5)
7. Hold gun perpendicular to surface being sprayed. Arcing or tilting may result in uneven coating.
8. The recommended spray distance is 150-200 mm (6"-8").
9. Spray edges first. Overlap each stroke a minimum of 50%. Move gun at a constant speed.
10. Always turn off air supply and relieve pressure when gun is not in use.

Air Flow Valve (15)

1. If the airflow valve (15) is fitted this can be used to reduce the inlet pressure through the gun. Screw the Adjusting Knob in to reduce pressure.

Preventative Maintenance

1. Turn off air supply and relieve pressure in the airline, or if using QD system, disconnect from airline.
2. Empty coating material into a suitable container and clean, preferably in a gun wash machine.
3. Remove air cap and clean. If any of the holes in the cap are blocked with coating material use
4. a toothpick to clean. Never use metal wire which could damage the cap and produce distorted spray patterns
4. Ensure the tip of the nozzle is clean and free from damage. Build up of dried paint can distort the spray pattern.
5. Lubrication – stud/screw (6), needle (7) and air valve (11) should be oiled each day.

Replacement of Parts

E

Nozzle (2) and Needle (7) – Remove parts in the following order: 10, 8, 7, 1 and 2. Replace any worn or damaged parts and re-assemble in reverse order. Recommended tightening torque for nozzle (2) 17-20 Nm (150-180 lbf in)

Packing – Remove parts 10, 8, 7. Unscrew cartridge (4). Fit new cartridge finger tight. Re-assemble parts 7, 8, and 10 and tighten cartridge (4) with spanner sufficient to seal but to allow free movement of needle. Lubricate with gun oil.

Air valve – Remove parts 6 and 12. Unscrew valve assembly. Re-assemble fitting spring to valve head

Spreader valve – Caution: always ensure that the valve is in the fully open position by turning screw fully counter-clockwise before fitting to body.

Air cap / Nozzle Selection

Refer to coating material manufacturers recommendations or ITW Finishing UK Website:
www.itweuropeanfinishing.com

Accessories

Spanner – order SPN-5

Cleaning Brush – order 4900-5-1-K3

Service Kit – order GTi-416 add nozzle size as required (i.e. GTi-416-14)

Pressure gauge Attachment – order GA-515

Gun Mounted Regulator – order DVR-501

Lubricant - order GL-1-K10



TAHAS Tazyikli Hava Sanayi ve Ticaret A.S.
I. Karaoglanoglu Cad. No: 25/4
34418 Seyrantepe, Istanbul Turkey
Tel: +90 212 284 93 33 Fax: +90 212 282 64 93
Web Site: www.tahas.com E-Mail: info@tahas.com

ITW Finishing Systems and Products
Ringwood Road,
Bournemouth,
BH11 9LH,
England.
Tel. No. (01202) 571111
Telefax No. (01202) 581940,
Website address <http://www.itweuropeanfinishing.com>

ITW Oberflächentechnik GmbH & Co. KG
Justus-von-Liebig-Straße 31
63128 Dietzenbach
Tel (060 74) 403-1
Telefax: (060 74) 403300
Website address <http://www.itw-finishing.de>

ITW Surfaces Et Finitions
163-171 avenue des Auréats B.P. 1453
26014 VALENCE CEDEX FRANCE
Tél. (33) 475-75-27-00
Télex 345 719F DVILBIS
Téléfax: (33) 475-75-27-99

January 03